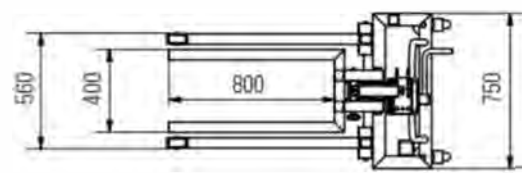
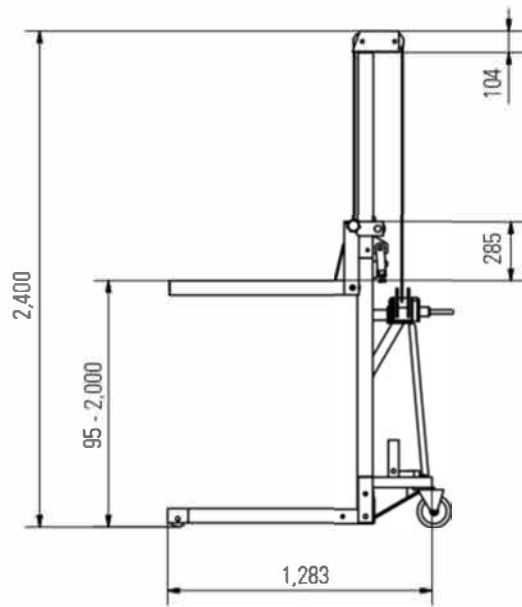
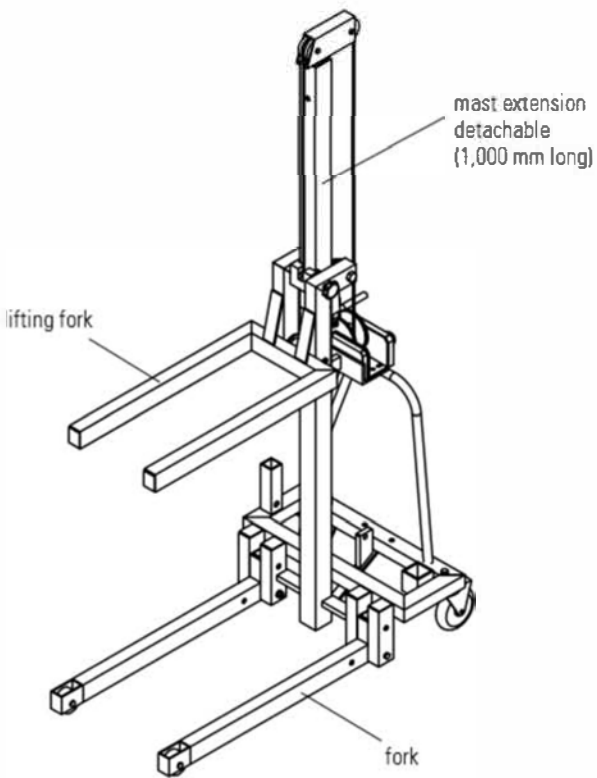
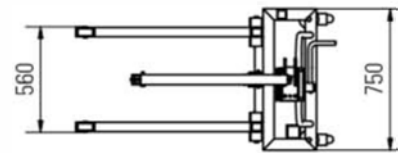
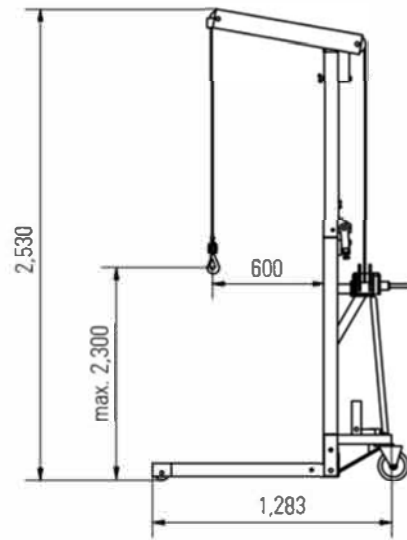
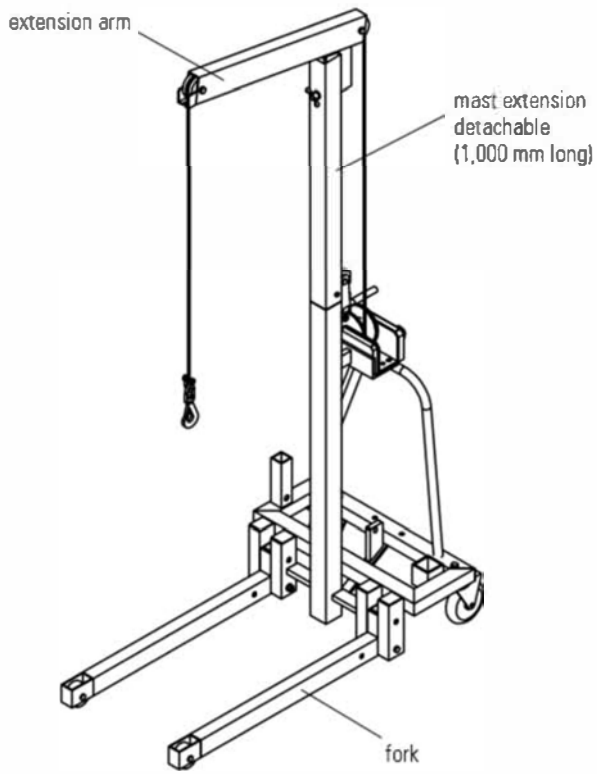
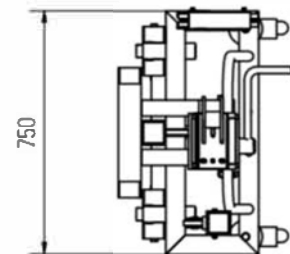
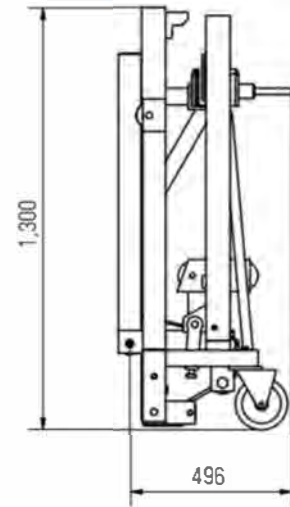
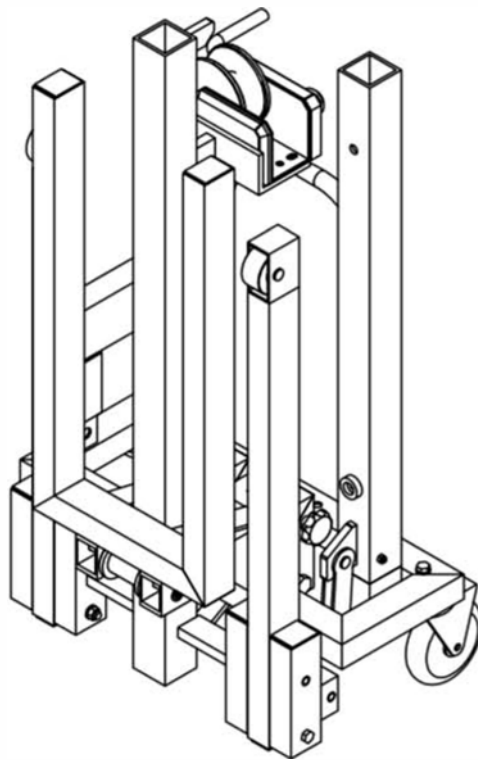




Aluminium Multilift

Item No. 6110250





Technical Data

load capacity 250 kg
 own weight 70 kg
 base fork width 560 mm
 fork height 95 mm
 (measurement floor to top side of forks)

with cable winch
 incl. anti-turn secured cable rope
 diameter 5 mm
 cable length 5,100 mm
 travel per rotation 50 mm
 one end pointed, one end with thimble

with 2 pieces heavy-duty tyres
 steel swivel casters
 with integrated wheel and live ring brake
 with super-elastic-solid rubber tyres
 diameter 160 mm
 These tyres are mounted to the base frame.

with 2 pieces guide roller resp. fork
 caster made of high quality plastic
 diameter 80 mm
 These casters are mounted to the fork.

extension mast is detachable
 (1,000 mm)

Version with extension arm:
 reach 600 mm
 travel of hook 2,300 mm
 with safety snap hooks made of stainless steel (whirl hook)
 rotates through 360° under load

Version with lifting fork:
 lifting height 95 - 2,000 mm
 fork width 400 mm
 fork length 800 mm

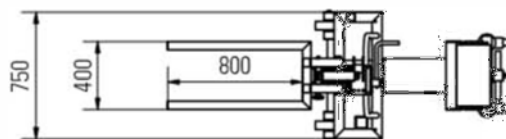
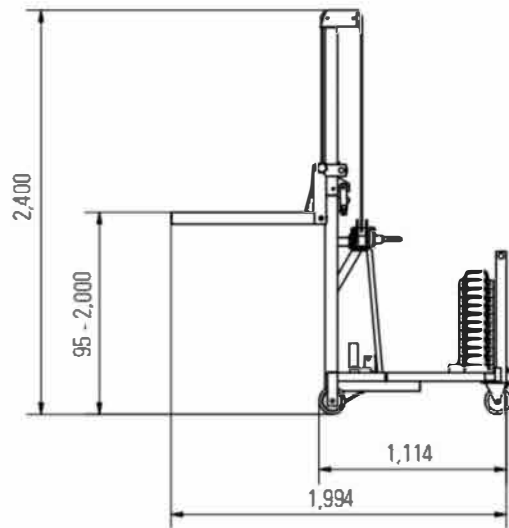
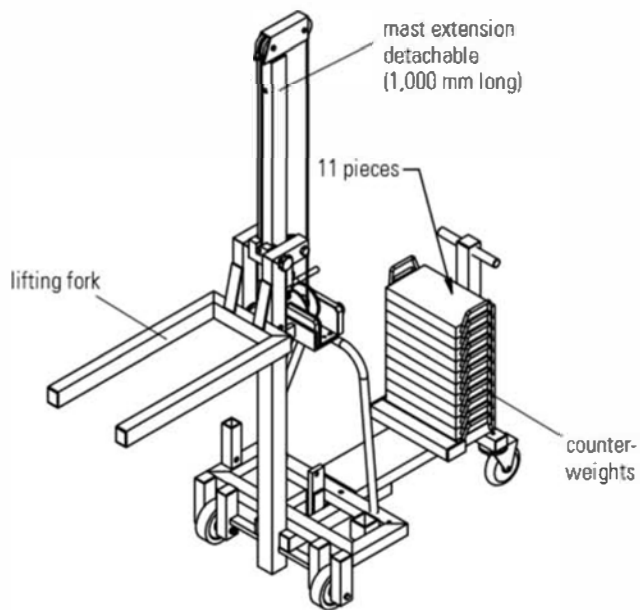
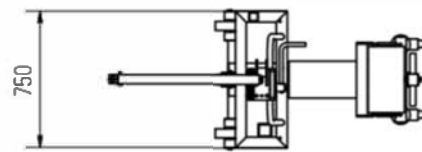
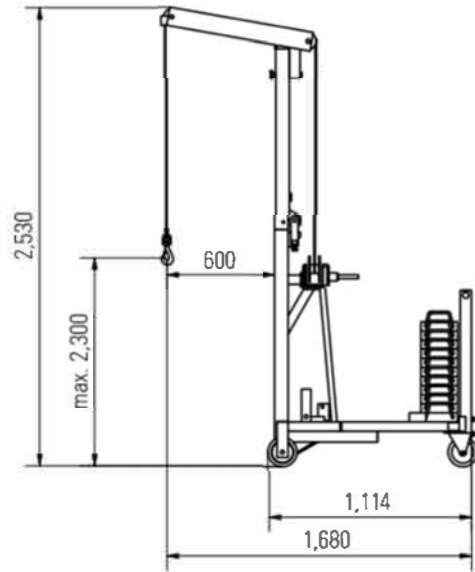
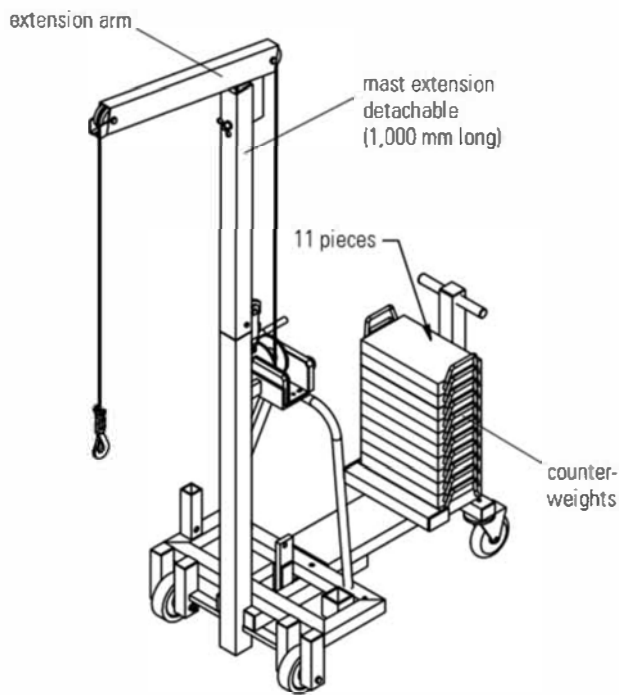
Description

- Delivery contents:
 including extension arm
 including lifting fork
- The Aluminium Multilift has been especially developed for companies that are in need of a mobile lifting device.
- The lifting operation is performed by a cable winch.
- The lift's mast can be divided.
- The Aluminium Multilift can be folded completely with a minimum of effort and space saving stored.
- It can be effortlessly transported in a van.
- It is suitable for use with standard wooden pallets as well as mesh-cages and stillage's.



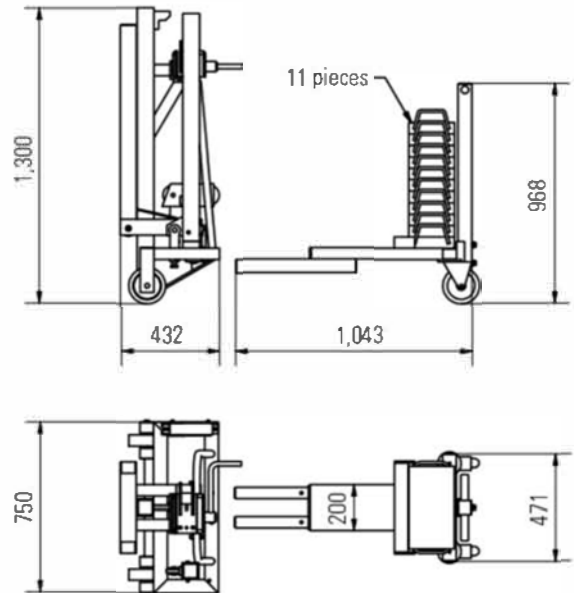
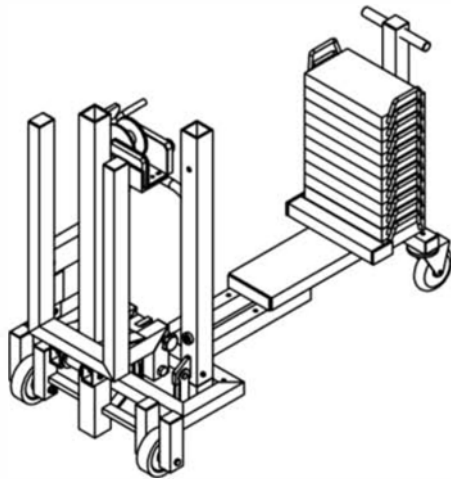
Aluminium Multilift with counterweight

Item No. 6120250



Item No. 6120250

Aluminium Multilift with counterweight



Technical Data

load capacity 250 kg
own weight 400 kg

with cable winch
incl. anti-turn secured cable rope
diameter 5 mm
cable length 5,100 mm
travel per rotation 50 mm
one end pointed, one end with thimble

with 2 pieces heavy-duty tyres
with super-elastic-solid rubber
tyres
diameter 160 mm
These tyres are mounted to the base
frame.

with 2 pieces heavy-duty tyres
steel swivel casters
with integrated wheel and live
ring brake
with super-elastic-solid rubber
tyres
diameter 160 mm
These tyres are mounted to the add-on
part.

extension mast is detachable
(1,000 mm)

Version with extension arm:
reach 600 mm
travel of hook 2,300 mm
with safety snap hooks made of stain-
less steel (whirl hook)
rotates through 360° under load

Version with lifting fork:
lifting height 95 - 2,000 mm
fork width 400 mm
fork length 800 mm

Description

- Delivery contents:
including extension arm
including lifting fork
- The Aluminium Multilift has been especially developed for companies that are in need of a mobile lifting device.
- The lifting operation is performed by a cable winch.
- The lift's mast can be divided.
- The counterweights are provided with a safety device to prevent inadvertent removal.
- The Aluminium Multilift can be folded completely with a minimum of effort and space saving stored.
- It is possible to remove the add-on part (incl. 11 counterweights) from the Aluminium Multilift with four screw connections.



Aluminium Custom-Made Multilifts: Examples and Varieties

